

Operating Manual

Separating Toilet

hive two



Please read these operating and safety instructions thoroughly before using the device for the first time.

campbee is a brand of the
3Dstrong GmbH
Hermann-Blohm-Straße 3
20457 Hamburg

Table of Contents

1	Safety instructions	3
2	Intended use	4
3	Construction of the Hive Two	4
4	Assembly and comissioning	6
5	Usage instructions	6
5.1	Use of the toilette	6
5.2	Emptying the toilet	7
6	Maintenance and Care	8
7	Repair and spare parts	9
8	Before disposal...	9

1 Safety instructions

Your new separation toilet makes you independent of drinking and waste water pipes. To enjoy this new freedom for as long as possible, you should pay attention to a few important things.

Do not place the hive two in puddles.

In general, wood prefers dry environments, so you should consider this when choosing a location. Although all surfaces are sealed, high humidity can cause the wood to swell and become damaged. So don't leave your toilet out in the rain, after all, it's there for you in any situation.

While we are on the subject of humidity:

Don't wait too long to empty your containers, to avoid condensation. In addition to the obvious danger of the wood absorbing the moisture, this can unfortunately also lead to odors. The litter you use to cover the solids will eventually no longer be able to bind the moisture.

So please check regularly whether condensation forms in your hive two and wipe the body dry if necessary. And while you're at it, you should also take the opportunity to empty your containers. This will prevent new condensation from forming and save you a lot of work!

Do you have your hive two in your vehicle? Great! You can explore new places without worrying about where to find the nearest toilet.

But make sure you secure the toilet when transport it.

And check after especially curvy trips to make sure everything is still tight and in place, so at the next Usage nothing will miss!

The hive two is a design object that does not have to hide. You can put it anywhere you like. And because space is always a problem when camping, you can also use it as an additional chair when the lid is closed.

A multifunctional object! Only as a ladder you should not use it, there is danger of overturning.

There is also a risk of overturning if you try to place your hive two on a steep or uneven spot. Not only that, but liquids tend to follow gravity and always collect at the lowest point.

For an open urine canister, that means it could leak if the opening is the lowest point. And a puddle of urine is really the last thing you want to worry about in your free time, right?

So always make sure your separating toilet has a firm, straight stand.

Please also be careful when opening and closing your hive two.

Both the lid and the front flap can crush your fingers if you still have them on the body when closing.

2 Intended use

The hive two is intended for use as a dry separation toilet. Therefore, please do not use it as a ladder or dance floor.

Furthermore, the hive two should always be transported upright to avoid damage to components.

Excessive weight loading (e.g. when loading the vehicle with boxes or bags) should also be avoided.

During the journey, the load must be secured in a manner appropriate to the vehicle.

We do not recommend to use in wet rooms with showers, as the wood is not permanently resistant to moisture.

3 Construction of the Hive Two

The back panel of your new hive two is made of ABS recyclate, so it is completely recycled. ABS (or acrylonitrile butadiene styrene) is one of the most commonly used plastics for everyday items. So it's quite possible that the back panel of your hive two was once a computer keyboard or a Lego toy in its previous life.

The wooden panels are made of FSC-certified wood and treated so that they don't absorb moisture immediately.

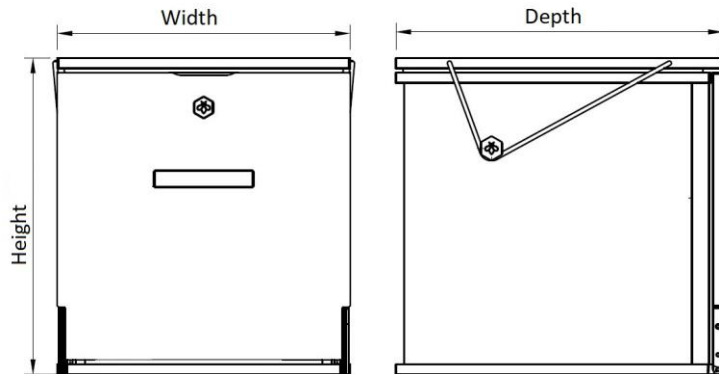
All the parts are slotted into each other and screwed together. So everything holds in place, but can also be easily taken apart and repaired or replaced if necessary.

Wood is a natural product and therefore every hive two is unique. So you can be sure that no separation toilet looks exactly like yours. To ensure that we can always help you quickly in case of queries, it is best to transmit the serial number of your separation toilet. You can find it on the type plate inside the toilet.

The separator insert is made of polystyrene recyclate, which is also recycled plastic. It may not come from the world's oceans, but there is also enough plastic on land that can and must be recycled. Our supplier for the separator insert is CO₂-neutral and plants beech trees in Europe every year to offset the emissions generated during production. So that's where the carcass and separator insert come a bit full circle.

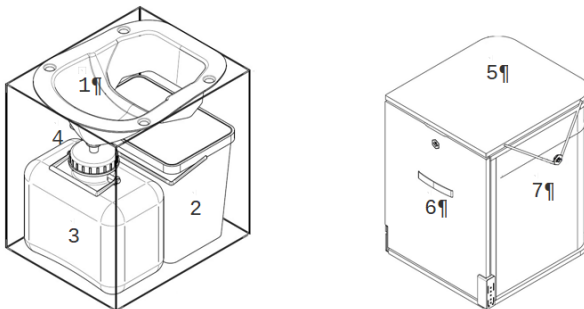
When working with recycled materials, there may be small irregularities in the material. However, this is not a quality defect and does not affect the functionality.

Dimensions



	Weight [kg]	Height [mm]	Width [mm]	Depth [mm]
Compact	5	313	342	382
Standard	6	369	342	382
Comfort	7	471	342	382

Components



1

- (1) Separation insert
- (2) Solids bucket
- (3) Urine canister
- (4) Membrane cap
- (5) Lid
- (6) Flap
- (7) Body

4 Assembly and commissioning

You don't have enough space to open the front flap completely to the front?

No problem! You can remove the flap with a simple handle.

Open the push lock and open the flap about 2cm. The hinge plates on the side of the flap and the pin in the base plate are now at exactly the right angle to each other, so you can lift the flap upwards. To reattach the flap, simply place it back on the pins from above. Then check whether the flap is securely locked again and the push lock can be closed properly.

If your front flap does not seal tightly with the body, this is not a production fault, but absolutely fine. There is also a small slit at the bottom between the flap and the cabinet. This ensures that a certain amount of air circulation is possible so that the solids dry better and moisture does not collect so quickly in the body.

The divider is attached to the seat from below. For this purpose, two turning latches are attached to the underside of the wooden plate. To remove the divider insert, the membrane lock beak must first be turned forwards. Then the urine canister and solids bucket can be removed. Before removing the separating insert, the latches on the underside must simply be turned outwards. Tilting slightly helps to remove the separator insert.

After cleaning, put the divider back in place and lock it to prevent it from slipping. Before the next use, please check that you have fastened the divider correctly.

Further changes to your new separation toilet are not planned from our side. If you still have an idea of what you would like to change, then go ahead! However, in this case we will no longer be responsible for the functioning of your hive two. From here on: Modification at your own risk!

Please let us know your suggestions for improvement and we will consider them in our ongoing product development.

5 Usage instructions

Dry separation toilets are great, among other things, because you can set them up and use them anywhere and at any time.

To ensure that nothing goes wrong when you use them, we will explain the most important details here.

5.1 Use of the toilette

With your new dry separation toilet, who would have thought it with the name, your liquid and solid excrements are separated by means of the supplied insert and collected individually. The solids fall into a bucket ideally without touching the separating insert. Urine flows through the funnel-shaped separator insert into the provided canister.

Women and small children have to aim a little more than men when using the device, but with a little practice this is no problem at all.

So you don't need (drinking) water or chemicals to use it. Due to the separation of solid and liquid and the covering with litter, the solid dries quickly. This means that there are hardly any odors. And if there are, they are more peaty-earthly than unpleasant.

For faster drying of the solids, we recommend covering with absorbent material before the first use and then after each use of the toilet. For example, miscanthus, a mixture of small animal litter and sawdust, coconut fiber, bark mulch, terra preta, humus or soil, dry coffee grounds, or special litter for dry separation toilets have proven effective for this purpose. Organic cat litter also works, but it binds the moisture and does not release it, or releases it very slowly. So the bucket can become very heavy over time. When using the litter, make sure that you really only pour it into the back part of the divider. If possible, no litter should go into the front part because the funnel could get clogged.

You know, only liquid in the front, solid in the back!

The only exception to the "liquid in front, solid in back" rule is for feminine hygiene products. Tampons and sanitary towels belong in the back of the separation toilet, unless you want to compost the contents of your solids container. You empty your menstrual cup into the rear container as well; menstrual blood has no business in the urine canister. Covered with litter, no odors will arise here either.

5.2 Emptying the toilet

An adult person excretes between 1.5l and 2.5l of urine daily, provided that enough is drunk. Therefore, remember to empty the urine canister in good time. You can easily check the fill level of the urine canister by unlocking the push lock and opening the front flap. Even the smallest users can do this. You can empty the urine canister in a normal toilet.

Simply fold down the front completely or remove it, turn the membrane cap to the front and pull on the urine canister. When reinserting the canister, make sure to lock the membrane seal again.

The canister of the hive two standard is sufficient for about 1-2 days of use, with the hive two comfort it is already 3-4. The hive two compact is perfect with its small canister for in between, but here the canister should be emptied best daily, as soon as you use the separation toilet with more than one person.

Due to the decomposition of the urine, it can smell unpleasant after about 2-4 days (also depending on what you have eaten and drunk, we think only of asparagus soup or similar ...). Then you should empty it regardless of the filling level.

The solids container is located behind the urine canister. To remove it, you must first remove the urine canister.

Then you can simply pull the bucket forward and dispose the contents. Also at the Hive Two you can let the most time pass between emptying the container. The 10l bucket can last 3-5 days. You should empty the hive two standard after about 2 days and the hive two compact after every third use at the latest.

But remember: These are only recommendations from us. How you handle it in practice is entirely up to you!

When reinserting the containers, make sure that they are again positioned exactly under the corresponding opening.

In case of the solid bucket, this happens automatically when you push it all the way back. The urine canister centers itself thanks to the attachment.

A tip:

Diluted with water, the urine can also be used as a fertilizer for ornamental plants. But really only for flowering and ornamental plants, because drugs and other undegraded substances can be in it. And they better not come in contact with your crops. Nobody wants medicine carrots!

The contents of the solid waste bucket, even if it is in a compostable bag, do not belong in the organic waste garbage can. Even compostable bags are unfortunately not suitable for industrial composting.

However, if you have the means to do so, you can compost the solids yourself. Provided you have not used a compostable bag and degradable litter to cover it. Also, there should be no hygiene products in the bucket.

However, composting is better to take three to four years. This is the only way to ensure that all parasites and germs have died.

6 Maintenance and Care

A gentle, natural cleaning agent has proven effective for cleaning the separator insert and the urine canister. This prevents the formation of urine scale and thus prevents discoloration and odors. The solids bucket can also be wiped out with this too. Simply spray lightly and wipe.

Please wipe the wooden surfaces only with a damp cloth (not wet!).

After long, intensive use, you may need to repaint the wooden panels of your hive two at some point in order to maintain their noble appearance. In this case, we recommend lightly sanding the surface and treating it with an environmentally friendly varnish or oil. If you have any questions, please do not hesitate to contact us.

7 Repair and spare parts

We want you to have fun with your hive two for as long as possible.
So if something should break, just contact us:
info@campbee.de
Tel. +49 (0) 40 180 127 28

campbee is a brand of the
3Dstrong GmbH | Hermann-Blohm-Straße 3 | 4.OG | 20457 Hamburg
(no store sale!)

8 Before disposal...

When your hive two has reached the end of its service and you can't or don't want to use it anymore, don't just throw it in the residual waste, please contact your local recycler.
And remember when recycling:

The separator insert and all 3D-printed components are already made of recyclate and can also be recycled further.

In the interest of recycling and waste separation, you should remove all screws and hinges, remove the seals and also remove the tape from the front flap before disposing of the wooden plate.

And now we wish you a lot of fun using your hive two!