

Instruction manual

Dry separation toilet

hive one



Please read this operating manual and the safety instructions thoroughly before using the device for the first time.

campbee is a brand of
3Dstrong GmbH
Hermann-Blohm-Straße 3
20457 Hamburg

Contents

1	Sicherheitshinweise	3
2	Bestimmungsgemäße Verwendung	Fehler! Textmarke nicht definiert.
3	hive one	5
4	Zubehör	Fehler! Textmarke nicht definiert.
5	Montage und Inbetriebnahme	Fehler! Textmarke nicht definiert.
6	Nutzungshinweise	8
6.1	Benutzung	Fehler! Textmarke nicht definiert.
6.2	Entleerung Urinkanister	Fehler! Textmarke nicht definiert.
6.3	Entleerung Feststoffbehälter	Fehler! Textmarke nicht definiert.
7	Instandhaltung und Pflege	Fehler! Textmarke nicht definiert.
8	Reparatur und Ersatzteile	Fehler! Textmarke nicht definiert.
9	Am Ende angekommen...	11

1 Safety instructions

Your new separation toilet makes you independent of (waste) water pipes. To enjoy this new freedom for as long as possible, you should pay attention to a few important things.

Do not place the hive one in puddles:

In general, wood tends to prefer dry environments, so you should keep that in mind when choosing your location. Although all surfaces are sealed, too much humidity can cause the wood to swell and become damaged. So don't leave your toilet out in the rain!

While we're on the subject of moisture:

The capacity of the urine canister and the solids container allow you to postpone emptying your toilet for a while. But if you wait too long, condensation can form. In addition to the obvious danger of the wood absorbing the moisture, this can unfortunately also lead to odors. The litter you use to cover the solids will eventually no longer be able to bind the moisture that forms.

So please check regularly whether condensation forms in your hive one and wipe the body dry if necessary. And while you're at it, you should also take the opportunity to empty your containers. This will prevent new condensation from forming and save you a lot of work!

Do you have your hive one with you in your vehicle? Great! You can explore new places without worrying about where to find the nearest toilet.

But make sure the toilet is securely fastened to the load.

And check after especially curvy trips to make sure everything is still tight and in place, so you don't miss the canisters the next time you use your toilet!

The hive one is a design object that does not have to hide. You can put it anywhere you like. And because space is always a thing when camping, you can also use it as an excellent additional seating option when the lid is closed. A multifunctional object! Only as a step you should not use it, there is danger of falling over.

There is also a danger of falling over if you try to place your hive one in a steep or uneven place. Not only that, but liquids tend to follow gravity and always collect at the lowest point.

For an open urine canister, that means it could leak if the opening is the lowest point. And a puddle of urine is really the last thing you want to worry about on your free time, right?

So always make sure your separation toilet has a firm, straight stand.

2 Intended use

The hive one is intended for use as a dry separation toilet. So not as a ladder or dance floor, even if it is tempting.

Furthermore, the hive one should always be transported upright to avoid damage to components inside.

Excessive weight loading (e.g., when loading the vehicle with boxes or bags) should also be avoided.

During the journey, the load must be secured in a manner appropriate to the vehicle.

We do not recommend use in wet rooms with showers, as the wood is not permanently resistant to moisture.

3 hive one

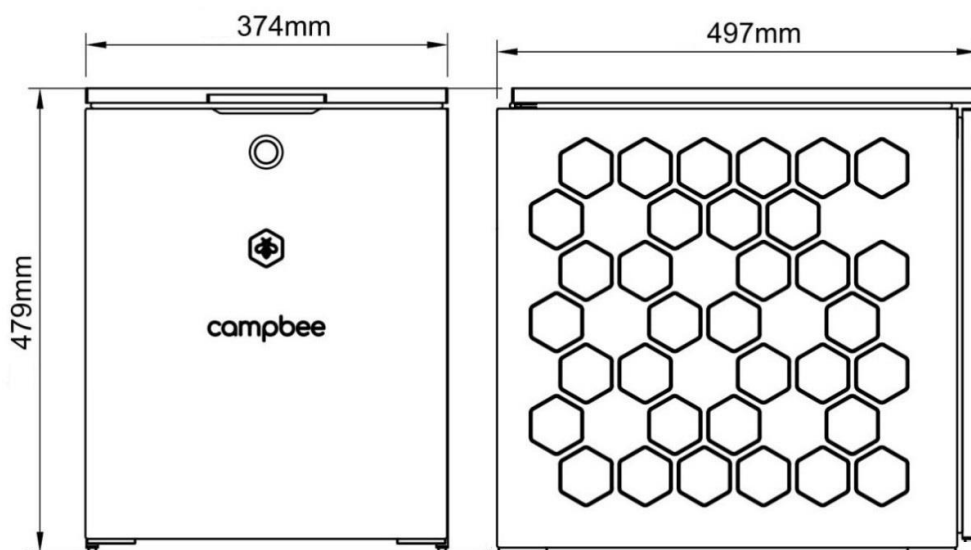
The body of your new hive one is made of FSC-certified beech multiplex from European forests. We have treated it with natural oil-based decorative wax and glued it with solvent-free wood glue so that you get a noble design without having to compromise on environmental friendliness.

Wood is a natural product and therefore each hive one is a little unicum. You can be sure that no separation toilet will look exactly like yours. for us to be able to help you quickly in case of queries, it is best to give us the serial number of your separation toilet. You can find it on the type plate on the inside.

The separator insert is made of a polystyrene recyclate, i.e. recycled plastic. It may not come from the world's oceans, but there is also enough plastic on land that can and must be recycled. Our supplier for the separator insert is CO2-neutral and plants beech trees in Europe every year to offset the emissions generated during production. That's where the carcass and separator insert come a bit full circle.

When working with recycled materials, there may be small irregularities in the material. However, this is not a quality defect and does not affect the functionality.

Measurements



Weight

including container and accessories approx. 13kg

Scope of delivery

You get the following components with the hive one:

- Body
- Holder for the lid of the urine canister
- separating insert
- toilet seat
- Urine canister incl. lid
- Solids bucket incl. lid
- Venting unit (12V DC), incl. activated carbon filter
- membrane lid
- Holder for toilet paper
- litter bucket incl. holder

4 Accessories

4.1 Venting unit

Your hive one has a fully automatic venting unit (12V DC), which is equipped with an activated carbon filter.

To operate the fan, you need a 12V hollow plug or a connection cable that has a USB-A port on both sides.

The fan can be operated from the on-board power supply as well as from a power bank. Important:

When using a powerbank, make sure that it does not switch itself off, otherwise you may have problems starting the fan.

The activated carbon filter is inserted into the venting unit by means of the filter slide. With regular use of your hive one, the filter will last for about 8-10 months before it needs to be replaced.

When the time comes, all you have to do is remove the toilet seat and the separator insert and you can simply pull out the filter sled.

4.2 Membrane lid

The integrated membrane closure in the canister lid ensures that fewer odors escape even you have not emptied the urine canister for some time.

The membrane cap can be easily removed from the canister lid by pulling it carefully and can then be cleaned by submerging it for about 5 minutes in boiling water. Afterwards, you simply reinsert it and it keeps the odors back where they belong.

4.3 Litter bucket and holder

On the inside of the door of your hive one you will find a practical bucket including holder.

The holder can be lifted and removed by the plug-in mechanism by carefully lifting it from the screws.

The bucket is ideal as a storage container. So you always have litter handy to cover your solids.

A little tip from us:

The bucket is also great for waste feminine hygiene products!

4.4 Toilet paper holder

Also on the inside of the door is a holder for a roll of toilet paper. This holder can also be removed by carefully pushing it upwards.

But be careful: Only normal rolls fit on the holder, not maxi-supply rolls!

For a comfortable use of your separation toilet, we also recommend the following accessories:

Litter

- for example, our bee dust made from Miscanthus
- coconut fibers
- bark mulch
- Terra Preta, humus or soil
- (Organic cat litter)
- dry coffee grounds
- litter extra for dry separation toilets

Other accessories

- (Compostable) bags for the solid waste container.
- Mild bath cleaner for the separation insert

5 Installation and commissioning

Does the door hinge of your separation toilet not suit you? Would you rather open the front door to the other side? No problem!

All you need is a Torx attachment for your screwdriver and a little bit of strength. The holes for the door hinges are already pre-drilled on both sides of the cabinet and the door. So loosen the screws of the hinges and easily change the door hinge. To do this, first loosen the screws from the cabinet and then from the door. Then install the two hinges on the other side of the door and screw them back onto the cabinet. Now align the door so that it closes properly and the seal is flush with the cabinet and you're done. Remember that the slot should always be at the top, regardless of whether you open the door to the right or to the left. Otherwise you could have problems with the push-lock mechanism.

Further changes to your new separation toilet are not planned from our side. If you still have an idea of what you would like to change, then go ahead! However, in this case we no longer assume any responsibility for the functioning of your hive one. From here on: Modification at your own risk!

Please let us know your suggestions for improvement and we will consider them in our ongoing product development.

6 Nutzungshinweise

Dry separation toilets are great, among other things, because you can set them up and use them anywhere and at any time.

To ensure that nothing goes wrong when you use them, we explain the most important details here.

6.1 Use

With your new dry separation toilet, who would have thought it with the name, your liquid and solid excrements are separated by means of the supplied insert and collected individually. The solids fall into a bucket without touching the separating insert. Urine flows through the funnel-shaped separator insert into the provided canister.

Women and small children have to aim a little more than men when using the device, but with a little practice this is no problem at all.

You therefore need neither (potable) water nor chemicals for use. Due to the separation of solid and liquid and the covering with litter, the solid dries relatively quickly. This means that hardly any odors are produced. And if there are, they are more peaty-earthly than unpleasant.

For faster drying of the solids, we recommend covering them with absorbent material after each visit to the toilet. For example, our bee dust miscanthus, small animal litter and sawdust, coconut fiber, bark mulch, terra preta, humus or soil, dry coffee grounds, or special litter for dry separation toilets have proven effective for this purpose. Organic cat litter also works, but it binds the moisture and does not release it, or releases it very slowly, so the bucket can become very heavy over time. When using the litter, make sure that you really only pour it into the back part of the divider. If possible, no litter should go into the front part because the funnel could get clogged.

You know, front is liquid only, back is solid only!

The only exception to the "liquid in front, solid in back" rule is for feminine hygiene products. Tampons and pads, unless you want to compost the contents of your solids container, belong in the back of the separation toilet.

You empty your menstrual cup into the rear container as well; menstrual blood has no business in the urine canister. Covered with litter, no odors will develop here either.

6.2 Emptying the urine canister

An adult person excretes between 1.5l and 2.5l of urine daily, provided that enough is drunk. Therefore, remember to empty the urine canister in good time. You can easily check the fill level of the urine canister by unlocking the door and checking. Even the youngest users can do this.

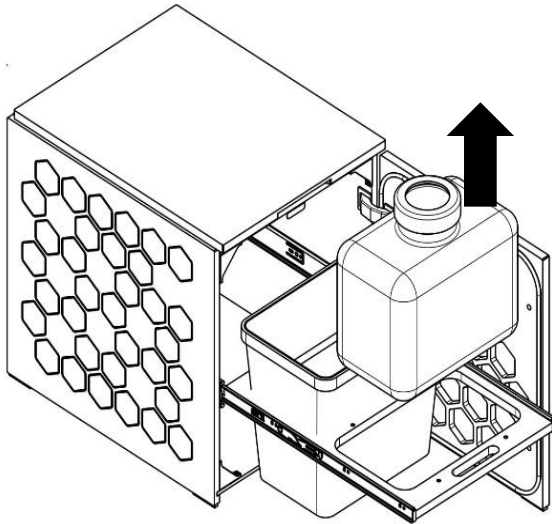
You can empty the urine canister in a normal toilet. Simply pull out the slide and lift the canister out of the drawer by the handle. For longer transports, it is best to screw on the lid, which you can store on the practical lid holder on the toilet inside in the meantime. Depending on how often the toilet is used, the 10L canister can last up to a few days.

However, due to the decomposition of the urine, odors can develop after approx. 2-4 days (also depending on what you have eaten and drunk, just think of asparagus soup...). At the latest then you should empty it regardless of the filling level.

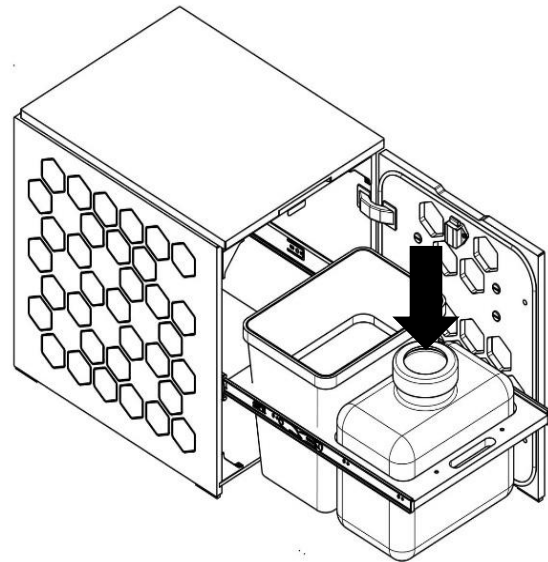
If you exhaust the filling capacity remember that 10 liters of urine also weigh about 10kg.

Ein Tipp

Diluted with water, the urine can also be used as a fertilizer for ornamental plants. But really only for flowering and ornamental plants, because drugs and other undegraded substances can be in it. And they better not come in contact with your crops. Nobody wants medicine carrots!



Take out urine canister



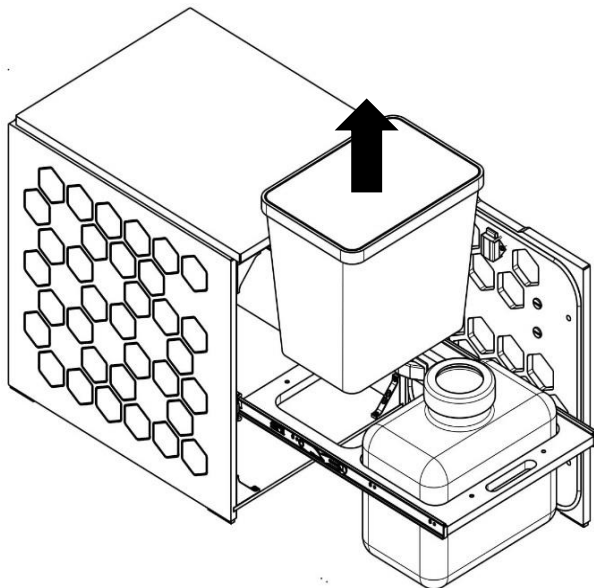
put urine canister back in

6.3 Emptying the solids bucket

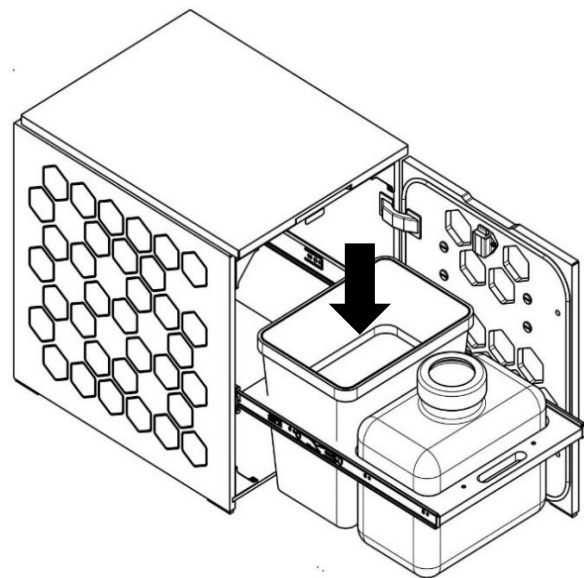
The solid waste container needs to be emptied less frequently. If you have equipped it with a bag, you can remove this and dispose of it in the residual waste. Otherwise, remove the entire bucket by the handle, close it with the lid if necessary, and take the contents to the nearest disposal option, such as the nearest residual waste garbage can. Then put the bucket back in its intended place, put a new bag in, slide the slide back and your hive one is ready for use again.

The contents, even if they are in a compostable bag, do not belong in the organic waste garbage can, as these bags are unfortunately not suitable for industrial composting.

However, if you have the means to do so, you can compost the solids yourself. Provided you have not used a bag or have used a compostable bag and degradable litter to cover it. Also, there should be no hygiene products in the bucket. However, it is better to compost for three to four years. This is the only way to ensure that all parasites and germs have died.



Pull out solids bucket



put back solid bucket

7 Maintenance and care

A natural cleaner, a light vinegar or lemon solution, has proven effective for cleaning the separator insert as well as the urine canister. This prevents the formation of urine scale and thus prevents discoloration and odors. The solids bucket can also be wiped out with this. Simply spray lightly and wipe.

Please wipe the wooden surfaces only with a cloth moistened with a light soapy water solution (not wet!).

After long, intensive use, you may need to repaint your hive one at some point in order to maintain its noble appearance. In this case, we recommend lightly sanding the surface and treating it with an environmentally friendly varnish or oil. If you have any questions, please do not hesitate to contact us.

8 Repair and spare parts

We want you to have fun with your hive one for as long as possible. So if something should ever break, just contact our team at:

info@campbee.de
Tel. +49 (0) 40 180 127 28

campbee is a brand of
3Dstrong GmbH | Hermann-Blohm-Strasse 3 | 4.OG | 20457 Hamburg
(no store sale!)

9 In the end...

When your hive one has reached the end of its service and you can't or don't want to use it anymore, don't just throw it in the residual waste, please contact your local recycler.

And remember when recycling:

The wooden panels of the carcass are treated with natural oil-based decorative wax and wood glue.

The separator insert and all 3D-printed components are already made from recyclete and can also be recycled further.

In the spirit of recycling and waste separation, you should dismantle all screws and the hinges, remove the seals and also remove the tape from the pull-out before disposing of the wooden carcass.

And now we hope you enjoy using your hive one!